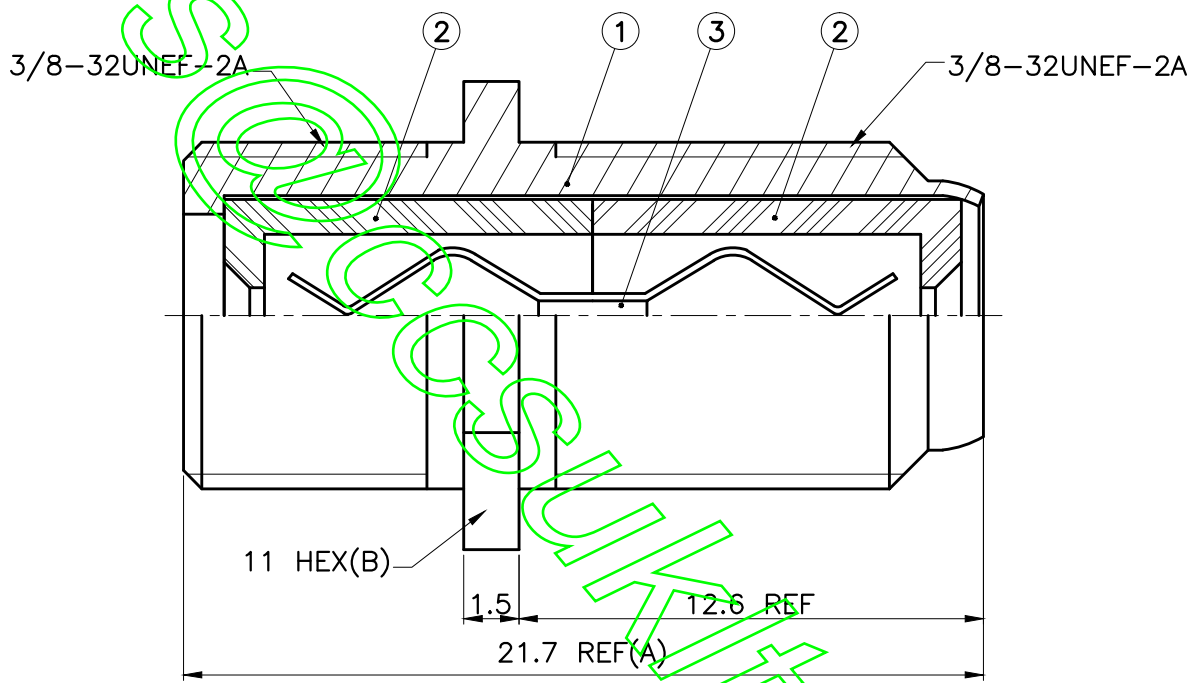


REVISIONS	
ISS	DESCRIPTION\DATE

RoHS COMPLIANT



TITLE: F DOUBLE FEMALE BULKHEAD

PART NO: FJJA75 032

DRAWING NO:

APRD:	UNLESS OTHERWISE SPECIFIED TOLERANCES 0.5-6 = ±0.2 >6-30 = ±0.4 >30-120 = ±0.6 >120-315 = ±1 >315-1000 = ±1.6 ANGLES = ±5°			
CHKD:				
DR:				
DATE: 04/07/10"	UNIT: mm	3 CONTACT PIN	BRASS	TIN
SHEET:	SCALE: 5/1	2 INSULATOR	P.P.	NATURAL
		1 BODY	ZINC ALLOY	NICKEL
		NO. DESCRIPTION	MATERIAL	FINISH